

LARGE DIAMETER VENTS

Features

Made from mild steel and available in diameters from 16" - 36" with 4" or 7" collar heights, the #546 is ideal for large capacity emergency venting. Cover has weather deflecting lip with bolts welded to lid, preventing removal. Bolt thread length prevents full tightening. Coatings and gaskets are options.



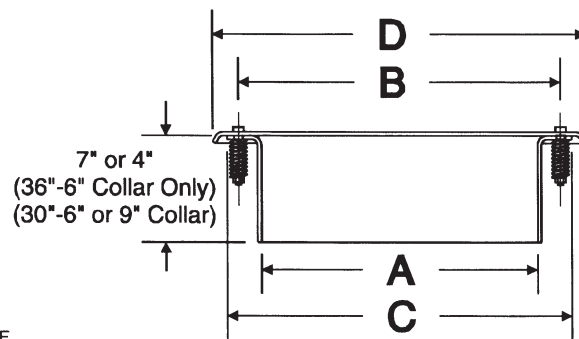
#546

Part No.	Size	Wt.lbs
0546-09-1600	16"	48.0
0546-09-1800	18"	57.0
0546-09-1805	18"*	71.0
0546-09-2000	20"	65.0
0546-09-2005	20"*	81.0
0546-09-2400	24"	85.0
0546-09-2405	24"*	101.0
0546-09-3000	30"	131.0
0546-09-3005	30"**	162.0
0546-09-3600	36"	171.0

* 7" High Collar

** 9" High Collar

546 Dimensions



SIZE OF MANHOLE INCHES	A	B	C	D	BOLT LENGTH	NUMBER OF BOLTS & SPRINGS
16"	16"	19"	20 1/2"	22 3/8"	3 1/2"	16
18"	18"	21"	22 1/2"	24 3/8"	3 1/2"	18
20"	20"	23"	24 1/2"	26 3/8"	3 1/2"	24
24"	24"	27"	28 1/2"	30 3/8"	3 1/2"	24
30"	30"	33"	35 1/2"	37 3/8"	3 1/2"	42
36"	36"	39"	42"	44 3/8"	3 1/2"	52

Cover and Collar are 1/4" Mild Steel Plate