

EMERGENCY VENTS

NEW!



LISTED!



370



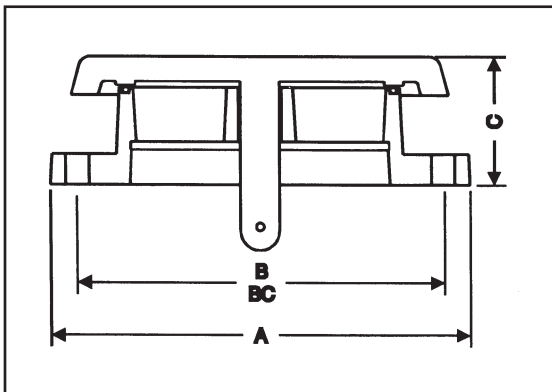
365

Features

Eliminates the need for pipe nipple on installation. Hole patterns conforms to ANSI B16.5 specifications. Machined base and top with Buna N "O" Ring provides vapor tight seal. Air flow at 2.5 psi is 448,054 SCFH for the 8" and 672,108 SCFH for the 10", with standard 4 mesh screen. Without screen flows are 518,821 SCFH for the 8", and 788,6161 SCFH for the 10".

Part No.	Size	A-ANSI B16.5 Hole Pattern		
		A	B/BC	C
0370-01-8000	8"	13 1/2"	11 3/4"	4 1/8"
0370-01-1000*	10"	16"	14 1/4"	4 1/8"

*Aluminum Base



Features

Heavy duty cast iron top and base for durability, (aluminum base available). Machined top and base with a Buna-N "O" Ring provide a vapor tight seal. Air flow at 2.5psi is 43,770 SCFH with 4 mesh screen and 46,983 SCFH without. The screen minimizes the chances of vandalism and theft. 3" NPT male threads are standard.

Part No.	Size	Wt.lbs
0365-01-3000	3"	10.0
0365-03-3000*	3"	5.1

*Aluminum base

