

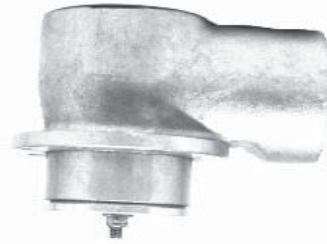
Features

Vapor recovery vent for 406 series trailers. Fits on a standard TTMA flange and can be used in a manhole or on a separate fitting. Materials include a 356 aluminum body, 304 stainless steel springs, shafts, nuts and bolts with nitrile "O"-Rings.

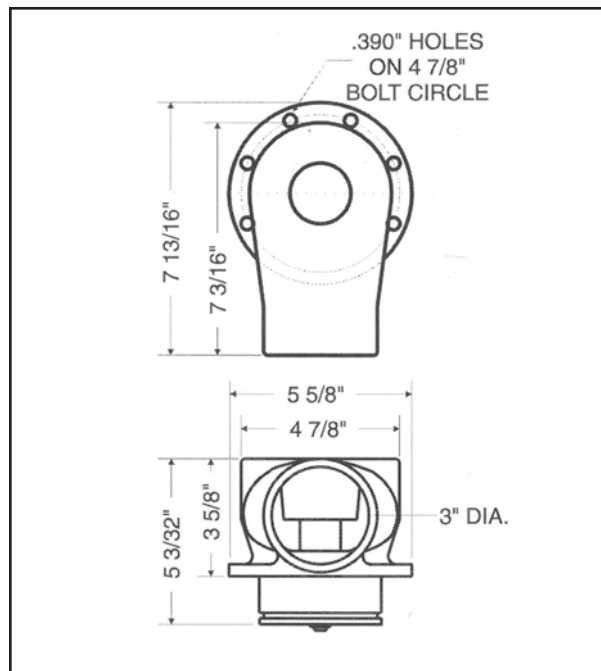
Airflow:

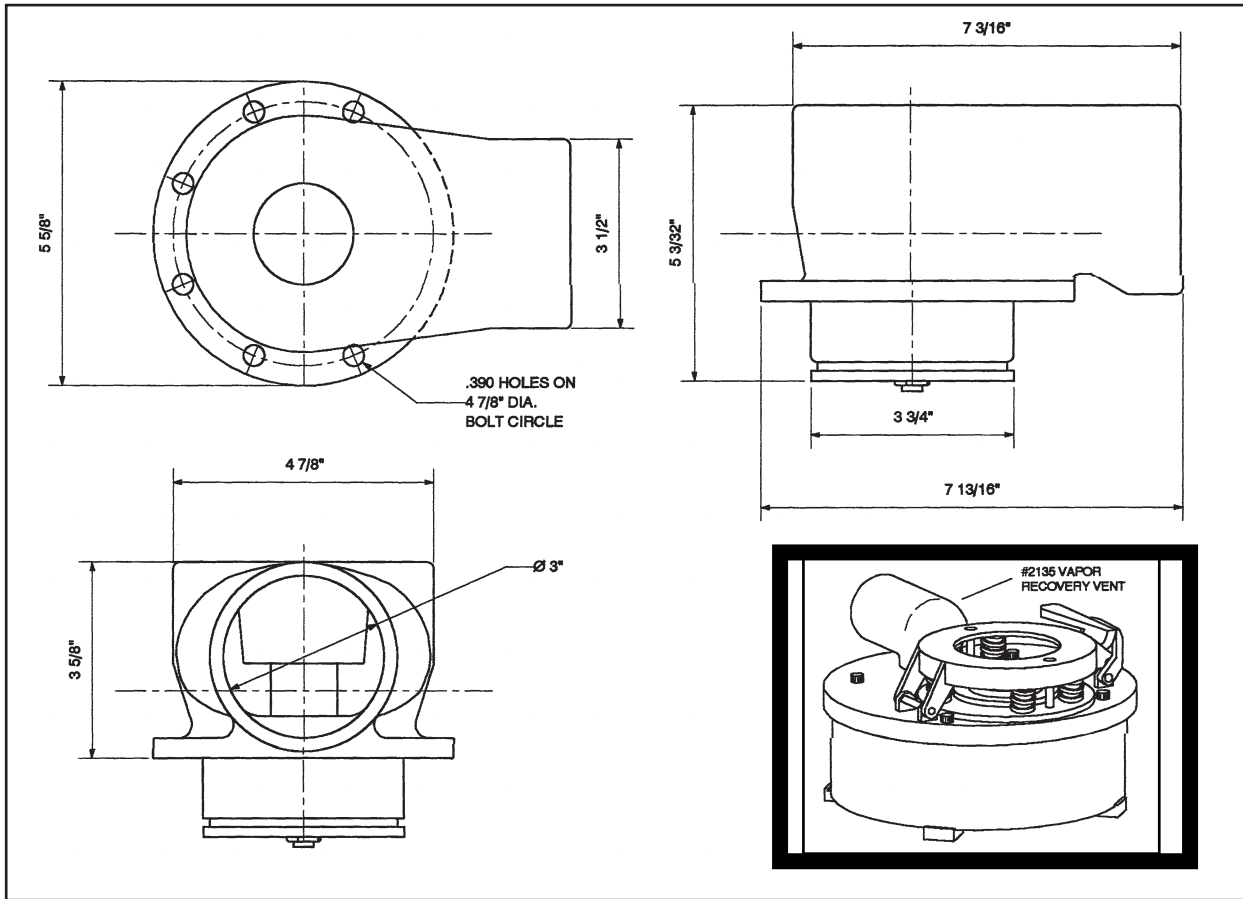
At 5 psig, flow is rated at 55,470 SCFH

Part No.	Size	Wt.
2135-03-3000	3"	7.0



2135





SPECIFICATION SHEET: #2135 VAPOR RECOVERY VENT

Materials:

Aluminum Alloy, Stainless Steel

Flow Rate:

Pressure – Approximately 55,470 SCFH @ 5 psig

Markings:

Clay & Bailey Mfg. Co.

#2135

O.P. 5 psig

55,470 SCFH @ 5 psig