

Features

Emergency relief vent designed for 406 trailers, dubbed "Smart Vent." This vent exceeds DOT regulations as it has zero leakage during an overturn. At 5 psig, vent capacity on the #2100 is 221,000 SCFH. The pressure setting can be increased, allowing the vent to open at 4.125 psig, and become fully open at 6.25 psig with a calculated airflow of 261,2000 SCFH. Vent construction materials include aluminum, 304 stainless steel hardware, and Buna-N gasket. When installed in the 16" or 20" dome covers, allows for upgrading to 1998 DOT manhole requirements.

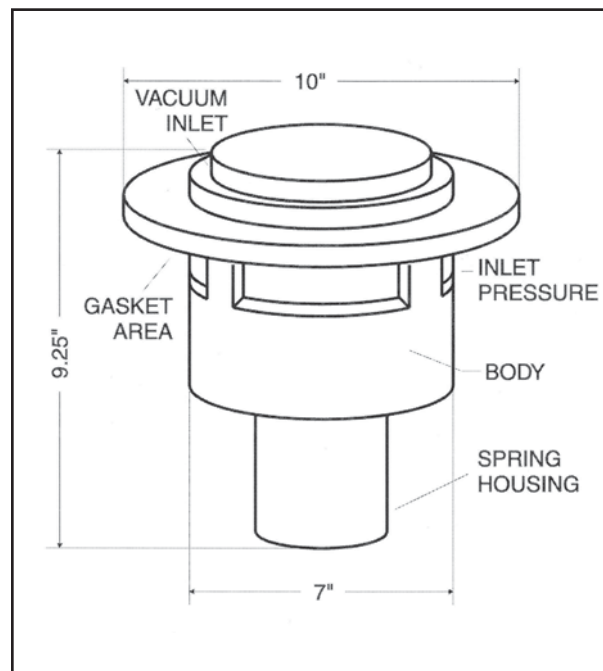


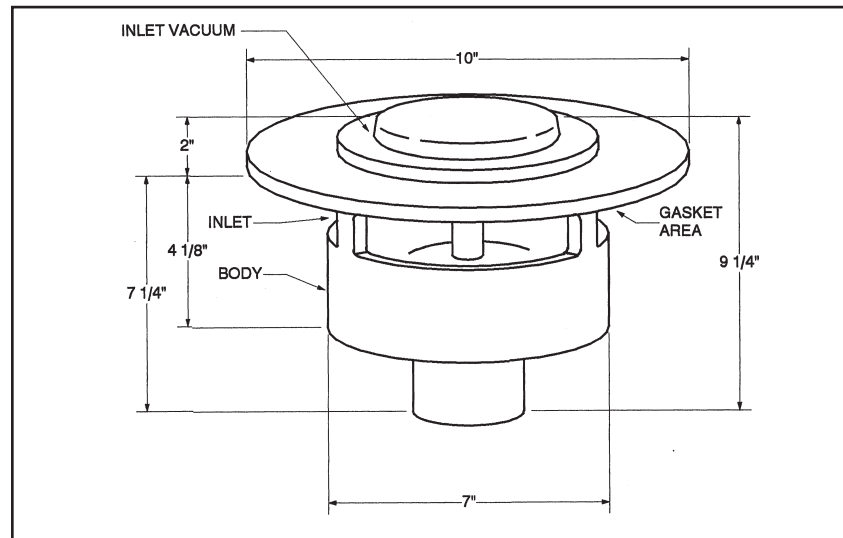
Patented

2100

Part No.Wt.

2100-03-1000 11.0





SPECIFICATION SHEET: #2100 EMERGENCY VENT

Materials:

Aluminum Alloy, Stainless Steel

Size:

5 3/4"

Flow Rate:

Pressure – Approximately 221,000 SCFH @ 5 psi

Vacuum – Approximately 1,200 SCFH @ 1 psi

Markings:

Clay & Bailey Mfg. Co.

#2100

O.P. 3.3 psig

221,000 SCFH @ 5 psi

Vac. 0.5 psi

1,200 SCFH @ 1 psi

MAWP:

2.65 psi