

## Features

High airflow vent for DOT 407 and 412 trailers.  
Exceeds DOT HM183 regulations, with zero leakage during trailer overturn. Material used in the main components of the vent include either 316 SST or PET. The springs and shafts are made from hastelloy, and the seals are teflon.

### Airflow:

Opening pressure - 30 psi,

Opening vacuum - 0.5psi

Set pressure - 40 psi, Set vacuum - 1.0 psi

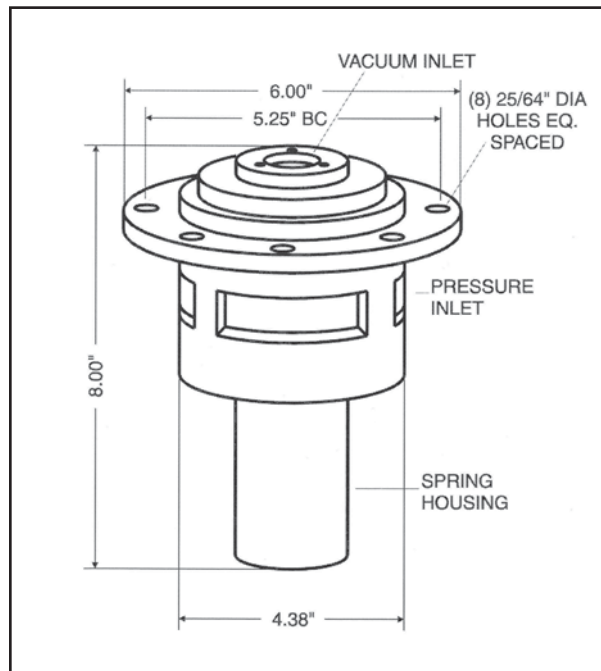
Pressure flow rated at 40 psi - 216,000 SCFH

Vacuum flow rated at 1 psi - 2700 SCFH



**2160**

Part No.	Size	Material	Wt.
2160-07-3000	3 1/4"	316 SST	12.0
2160-13-3000	3 1/4"	PET	2.0



## SPECIFICATION SHEET: #2160 3 1/4" EMERGENCY VENT

### Materials:

316 Stainless Steel  
Teflon O-Rings & Seals

### Size:

3 1/4", flanged, with 5 1/4" B.C.

### Flow Rate:

Pressure – Approximately  
216,000 SCFH @ 40 psi  
Vacuum – Approximately  
2,700 SCFH @ 1.0 psi vacuum

### Markings:

As required per DOT

Clay & Bailey Mfg. Co.  
#2160  
O.P. 30 psig  
216,000 SCFH @ 40 psi  
Vac. 0.5 psi  
2,700 SCFH @ 1.0 psi vacuum

