

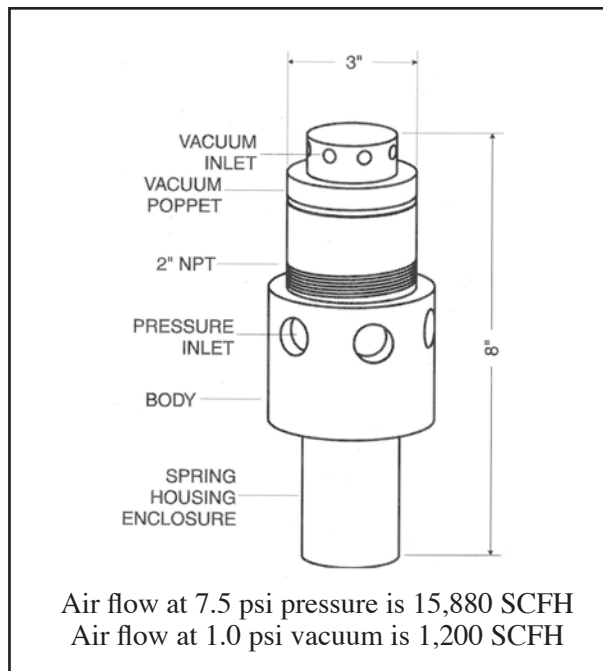
Features

The advanced design in emergency venting for the 412 Series trailers. The #2186 exceeds the DOT HM183 vent requirements for 9/1/96 and 8/31/98. This vent has a zero release of product during an overturn, and is suitable for low pressure / vacuum applications. Full open settings are 7.5 psi for pressure and 1.0 psi vacuum. Designed for corrosion resistance to various chemicals, the #2186 uses Hastalloy springs & rods, Viton seals and corrosion resistant body material. Ideal vent for retrofitting to the Clay and Bailey #1890 manhole.



2186

Part No.	Size	Material	Wt.
2186-13-2400	2"	P.E.T./UHMW	1.0
2186-07-2401	2"	316 SST	6.0



SPECIFICATION SHEET: #2186 2" EMERGENCY VENT

Materials:

Corrosion Resistant Material
Hastalloy Springs & Shaft
Viton O-Rings & Seals

Size:

2" NPT, can be retrofitted to
existing Clay & Bailey 1890
covers

Flow Rate:

Pressure – Approximately
15,880 SCFH @ 7.5 psi
Vacuum – Approximately
1,200 SCFH @ 1.0 psi
vacuum

Markings:

As required per DOT

Clay & Bailey Mfg. Co.
#2186
O.P. 5 psig
15,880 SCFH @ 7.5 psi
Vac. 0.5 psi
1,200 SCFH @ 1.0 psi vacuum

