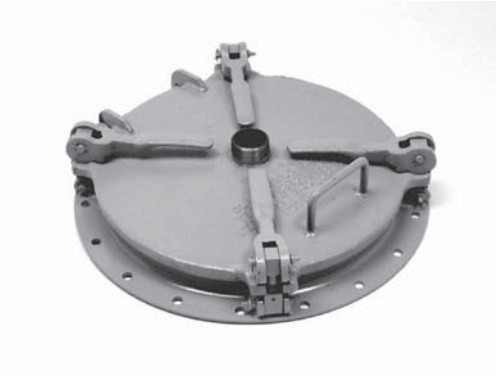


DOMES

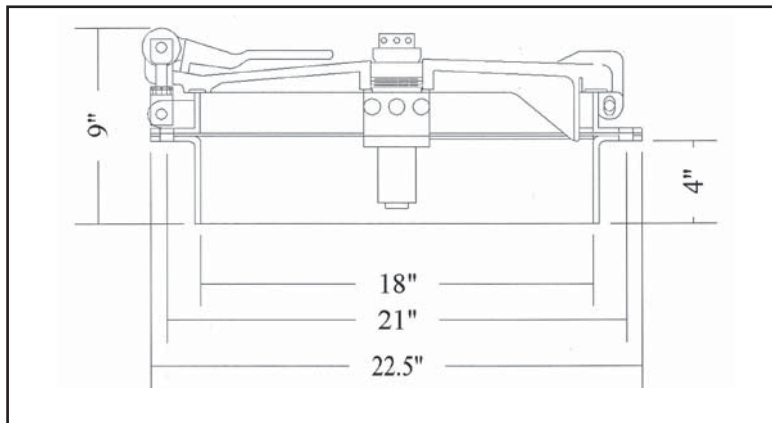


1890

Part No.	Description	Wt./Lbs.
1890-01-1800	18" Manhole Less vent collar, hood, base gasket	87
1890-01-1840	18" Manhole 4" high style Less vent, hood, collar, base gasket	97

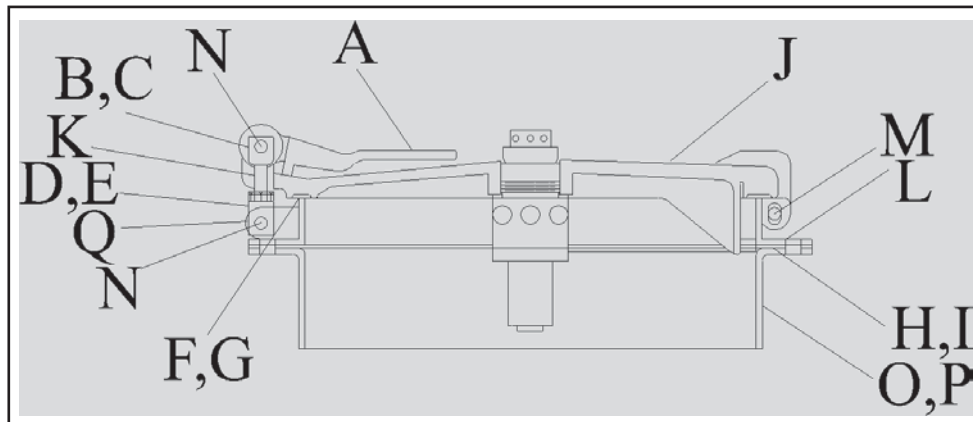
Features

Heavy duty 18" manhole suitable for oil field service trailers. Tested to 36 PSI and exceeds DOT 178.345-5 specifications. When installed with the #2186 vent, the products exceed the DOT 412 requirements. Outstanding safety feature of "Ball in Socket" cam handle design is standard. Options included Viton cover gaskets, 4" or 7" tall weld-in collars and Buna N or Viton base gaskets.



Repair Parts Listing

Item	Part Number	Description	Material
A	1801-01-1604	Cam Handle	Cast Iron
B	1890-02-1823	Adjusting Bolt	Brass
C	1890-02-1843	Adjusting Bolt for 4" collar	Brass
D	1890-02-1825	Adjusting Nut	Brass
E	1890-02-1845	Adjusting Nut for 4" collar	Brass
F	1890-05-1812	Cover Gasket	Buna N
G	1890-05-1813	Cover Gasket	Viton
H	1890-05-1822	Base Gasket	Buna N
I	1890-05-1823	Base Gasket	Viton
J	1890-06-1802	Cover w/Brkts	Cast Steel
K	1890-09-0200	Cam Assembly w/Bolt, Nut, Pin	
L	1890-09-1801	Base w/brkts	Mild Steel
M	1890-09-1808	Hinge Pin	C. Rolled Steel
N	1890-09-1824	Clamp Bolt Pin w/Zerk Fitting	Mild Steel
O	1890-09-1826	4" Collar (weld to trailer)	Mild Steel
P	1890-09-1827	7" Collar (weld to trailer)	Mild Steel



Maintenance

Periodic review of the gasket, cams, bolts and pins is needed to maintain the working order of the unit.