

Features

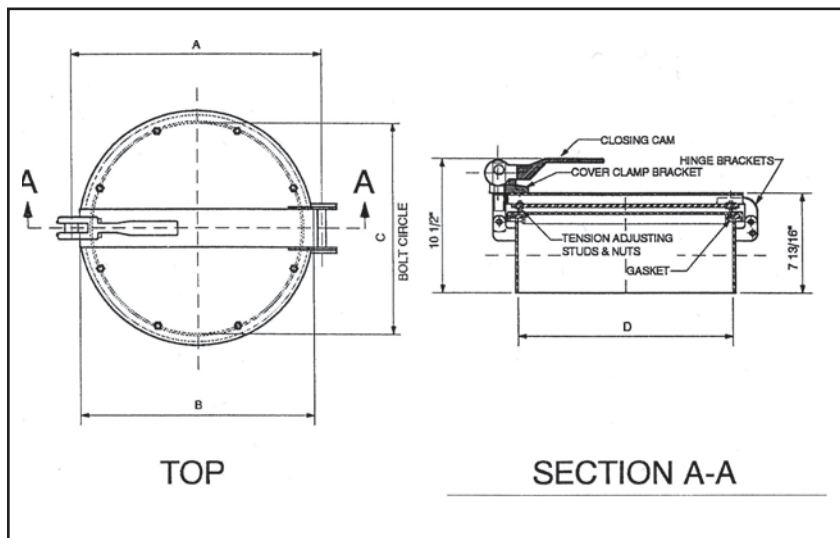
Designed to exceed DOT HM198 requirements for elevated temperature closures. Heavy duty, full opening manhole features safety cam (ball-in-socket) design, high temperature gasket (rated for 450°F operating temperature) and a variety of collar heights. Options include aluminum collar and other gasket materials. Special models available for retrofitting to existing collars are available.



1607-HM198

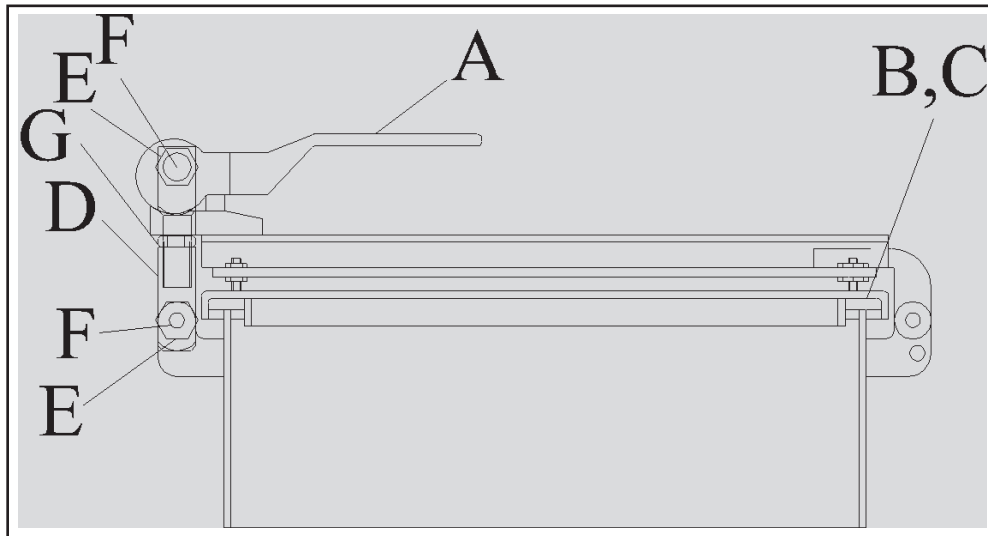
Part No.	Size	Material	Wt.
1607-09-1657	16"	M Steel	41.0
1607-09-1857	18"	M Steel	55.0

	A	B	C	D
16"	19 5/8"	18 3/8"	16 1/2"	16 13/16"
18"	21 5/8"	20 3/8"	18 1/2"	18 13/16"



Repair Parts Listing

Item	Part Number	Description	Material
A	1801-01-1604	Cam Handle	Cast Iron
B	1607-05-1610	16" Gasket	Fiberglass Teflon Encapsulated
C	1607-05-1810	18" Gasket	Fiberglass Teflon Encapsulated
D	1607-09-1621	Cam Link Assembly	Mild Steel
E	1607-09-0112	Retainer Nut	Mild Steel
F	1820-09-2003	Bolt	Mild Steel
G	1607-17-1617	Jam Nut	Pltd. Mild Steel



Maintenance

Periodic inspection of the hinge, cam and gasket is necessary to insure proper working order.