



951

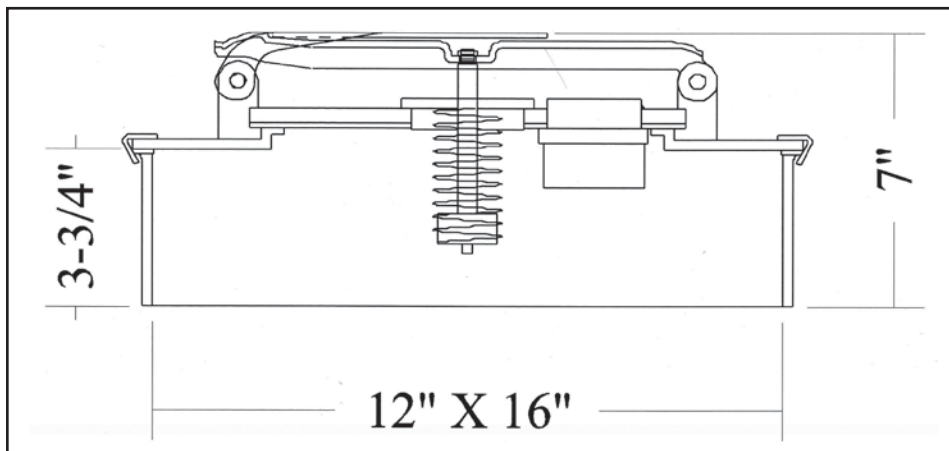
Part No.	Size	Material	Wt./Lbs.
951-09-1200	12x16"	Mild Steel	18

Features

Pressure actuated fill (PAF) elliptical manhole provides venting as required by NFPA 385 and NFPA 407. The pressure actuated venting is done thru the 10" fill. The pressure relief is set to open at 3 PSIG and be fully open

a 5 PSIG with a rating of 180,000 SCFH of free air. (Additional venting is provided by the 37X vent.)

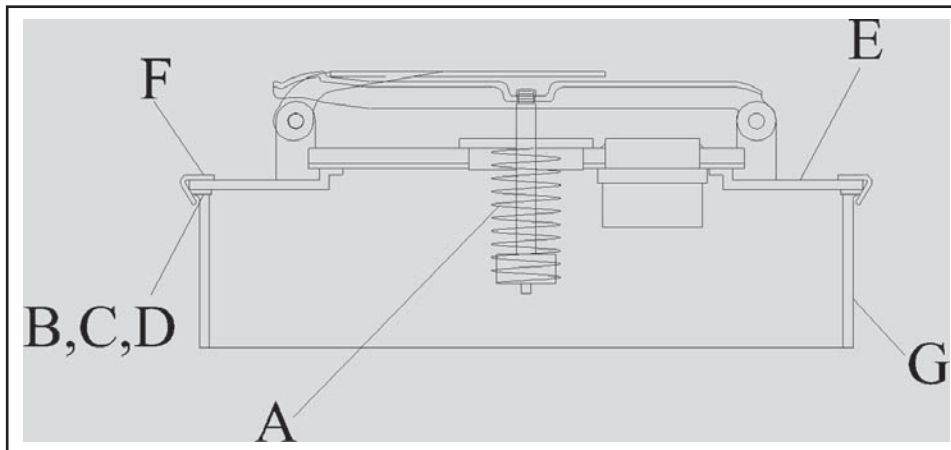
Cork and Buna N Gasket on fill cover and collar is standard. Other gasket material available on request.



Repair Parts Listing

Item	Part Number	Description	Material
A	950-09-3000	Spring Assembly	Alum, Mild Steel
B	951-05-1222	Cover Gasket	NC757 Cork/Buna
C	951-05-1223	Cover Gasket	Viton A
D	951-05-1224	Cover Gasket	Buna N
E	951-09-1201	Elliptical Cover	Mild Steel
F	951-09-1223	Elliptical Clamping Ring	Mild Steel
G	951-09-1226	Elliptical Collar	Mild Steel

For other repairs - see 950, 2097 parts listing



Maintenance

Manhole assemblies must be inspected with sufficient frequency and regard to products carried to insure tightness. Any parts showing damage or wear must be replaced.