

DOMES



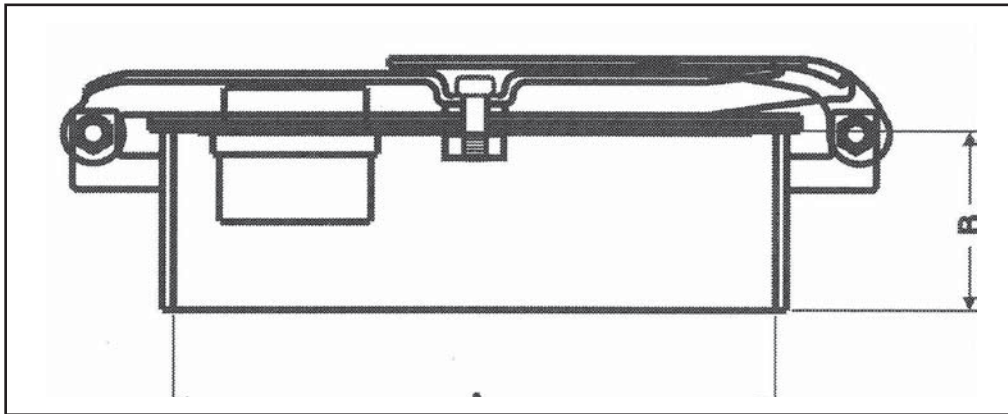
2097

Aluminum and Stainless Steel Domes have Mild Steel Plated parts not in contact with product.

Part No.	Size	Wt.Lbs.	Material
2097-03-1600	16"	17	Aluminum
2097-03-2000	20"	19	Aluminum
2097-07-1600	16"	20	304 SS*
2097-07-2000	20"	22	304 SS*
2097-09-1600	16"	22	Mild Steel
2097-09-2000	20"	24	Mild Steel

Features

Fabricated manhole that features a low silhouette and is light weight yet durable. 10" fill opening in center is standard. One (1) piece clamping ring secures the cover assembly to the weld collar. Venting is provided by 37X vent. Additional 37X vents or 937 vent may be used for extra venting capacity. Gaskets are NC757 for the collar and fill cover with other gaskets available. If the Quick Opening feature is required, specify manhole with 2097-23 QO option.



A	B	C
16	4"	6"
20	4"	6"

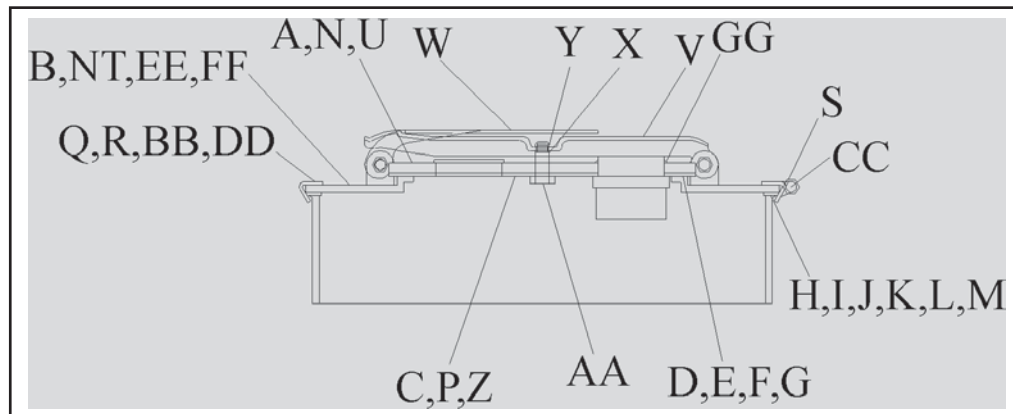
* Parts in contact are 304 SS; all other parts are MS plated.



DOMES

Repair Parts Listing

Item	Part Number	Description	Material
A	2097-03-1602	Plug IVH	Aluminum
B	2097-03-1609	16" Cover w/ brkts	Aluminum
C	2097-03-1608	Retainer IVH	Aluminum
D	2097-05-1012	Plug Gasket	NC 757
E	2097-05-1013	Plug Gasket	Buna N
F	2097-05-1017	Plug Gasket	Hi Temp
G	2097-05-1021	Plug Gasket	F-10 U.L.
H	2097-05-1622	16" Cover Gasket	NC 757
I	2097-05-1623	16" Cover Gasket	Buna N
J	2097-05-1624	16" Cover Gasket	Hi Temp
K	2097-05-2022	20" Cover Gasket	NC 757
L	2097-05-2023	20" Cover Gasket	Buna N
M	2097-05-2024	20" Cover Gasket	Hi Temp
N	2097-07-1602	Plug I VH	304 SS
O	2097-07-1605	16" Cover w/Brkts	304 SS
P	2097-07-1608	Retainer IVH	304 SS
Q	2097-07-1623	16" Clamping Ring	304 SS
R	2097-07-2005	20" Cover w/Brkts	304 SS
S	2097-02-1625	3/8" Hex Nut	Brass
T	2097-09-1601	16" Cover w/Brkts	Mild Steel
U	2097-09-1602	Plug IVH	Mild Steel
V	2097-09-1603	Hinge	Mild Steel
W	2097-09-1604	Cam	Mild Steel
X	2097-09-1605	Spacer	Mild Steel
Y	2097-09-1607	Shim	Mild Steel
Z	2097-09-1608	Retainer IVH	Mild Steel
AA	2097-09-1616	3/8"x1 1/2" HH Bolt	Mild Steel
BB	2097-09-1623	16" Clamping Ring	Mild Steel
CC	2097-09-1624	3/8x4 1/2" HH Bolt	Mild Steel
DD	2097-09-2023	20" Clamping Ring	Mild Steel
EE	2097-09-2316	16" Q.O. C.R. Assy	Mild Steel
FF	2097-09-2320	20" Q.O. C.R. Assy	Mild Steel
GG	2097-17-1610	2" Lock Nut	Mild Steel Pltd.



Maintenance

Periodic inspection of the hinge, cam and gasket is necessary to insure proper working order.