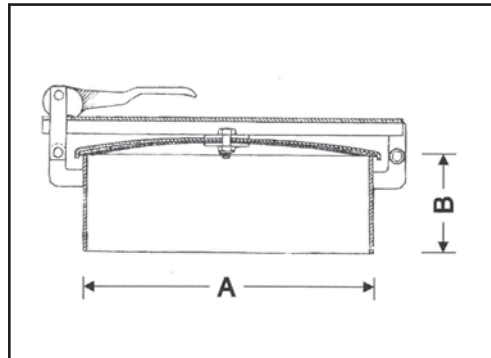


MANHOLES

Features

Durable, full opening access manhole ideal for non-pressure applications. Strong back channel hinge design provides secure closure. Various collar heights available. Standard gasket material is Hi-Temp (200 degree F operating temperature), with other gasket materials available.



Part No.	Size	Material	Wt.
1607-03-1660	16"	Aluminum	20.0
1607-03-1860	18"	Aluminum	22.0
1607-07-1660	16"	304 Stainless	31.0*
1607-07-1860	18"	304 Stainless	35.0*
1607-07-2000	20"	304 Stainless	45.0*
1607-07-2460	24"	304 Stainless	55.0*
1607-09-1660	16"	Mild Steel	31.0*
1607-09-1860	18"	Mild Steel	35.0
1607-09-2060	20"	Mild Steel	45.0
1607-09-2400	24"	Mild Steel	55.0
Size	A	B	
16"	17.125"	6"	
18"	19.125"	6"	
20"	21.125"	6"	
24"	25.125"	6"	



1607

* Parts in contact are 304 SS; all other parts are MS plated.

6401 E. 40th St. Kansas City, Missouri 64129
2-03



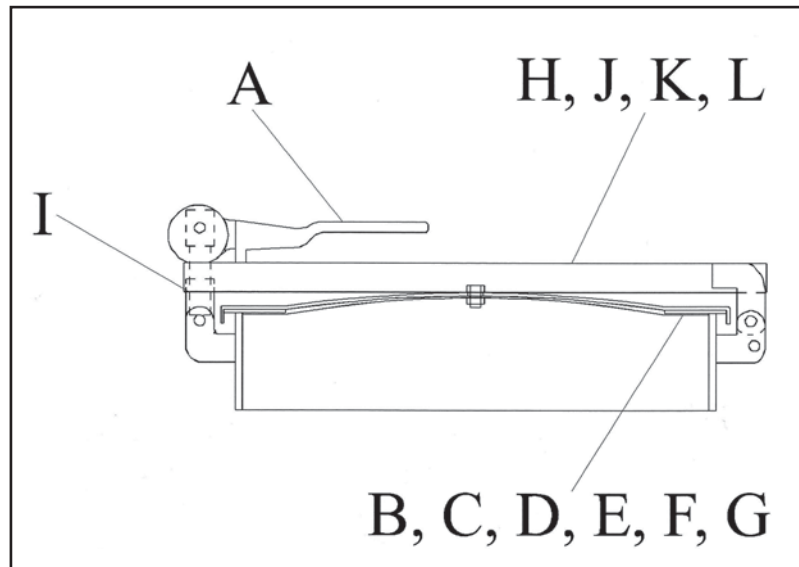
Clay and Bailey Mfg. Co.

1-816-924-3900 1-800-821-6583 FAX: 1-816-924-3903
www.claybailey.com email: CandBmfg@claybailey.com

MANHOLES

Repair Parts Listing

Item	Part Number	Description	Material
A	1607-01-1604	Cam Handle	Cast Iron
B	1607-05-1612	Gasket	Hi Temp
C	1607-05-1613	Gasket	Buna-N
D	1607-05-1812	Gasket	Hi Temp
E	1607-05-1813	Gasket	Buna-N
F	1607-05-2012	Gasket	Hi Temp
G	1607-05-2416	Gasket	Hi Temp
H	1607-09-1603	16" Hinge	Mild Steel
I	1607-09-1613	Cam Link	Mild Steel
J	1607-09-1803	18" Hinge	Mild Steel
K	1607-09-2003	20" Hinge	Mild Steel
L	1607-09-2403	24" Hinge	Mild Steel



Maintenance

Periodic inspection of the hinge, cam and gasket is necessary to insure proper working order.