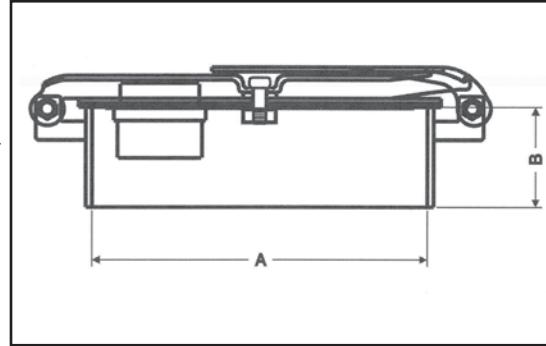


## Features

A low profile dome ideal for non-specification trailers or tanks requiring an inspection opening and venting. Full 8" opening when hinge and cam are released. Standard gasket is NC757 material with the 37X aluminum vent.



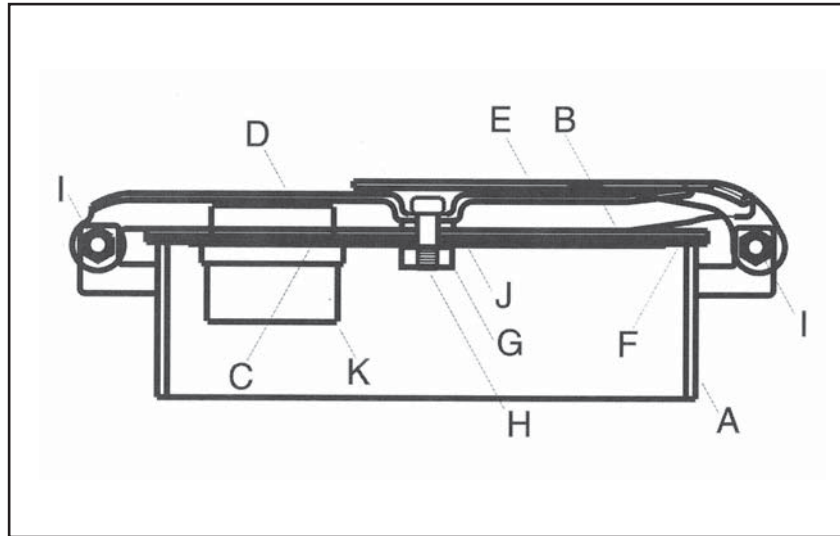
Part No.	Size	Wt.	A	B	Material
0945-03-8000	8"	9.0	8"	4"	Aluminum
0945-07-8000	8"	12.0	8"	4"	304SST*
0945-09-8000	8"	12.0	8"	4"	Mild Steel



945

\* Parts in contact are 304 SS; all other parts are MS plated.

# HATCHES



## 945 Parts Listing

Part Number	Size	Description	Material	Qty.
<b>A</b> 0945-09-6001 0945-09-8001	6" 8"	Collar	Mild Steel	1
<b>B</b> 0945-09-6002 0945-09-8002	6" 8"	Plug Only (one vent opening)	Mild Steel	1
<b>C</b> 0945-09-6008 0945-09-8008	6" 8"	Retainer (one vent opening)	Mild Steel	1
<b>D</b> 0945-09-8003		Hinge	Mild Steel	1
<b>E</b> 0945-09-8004		Cam	Mild Steel	1
<b>F</b> 0945-05-6006 0945-05-8012	6" 8"	Gasket	NC757	1
<b>G</b> 1607-17-1618	3/8"	Hex Nut	Mild Steel Plated	1
<b>H</b> 2097-09-1616 2097-17-1607	3/8x1 1/2" 3/8"	Hex Bolt Shim	Mild Steel Plated Mild Steel Plated	1 1
<b>I</b> 2097-17-1624 1607-17-1618	3/8"x4 1/2" 3/8"	Hex Bolt Hex Nut	Mild Steel Plated Mild Steel Plated	2 2
<b>J</b> 0836-09-0110		Spacer	Mild Steel	1
<b>K</b> 0037-03-2030	2"	PV Vent	Aluminum	1