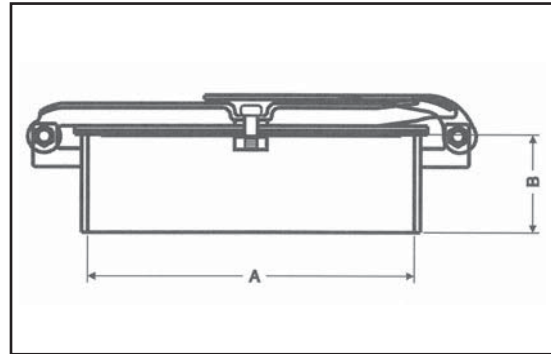


HATCHES

Features

Lightweight inspection hatch. Excellent hatch for applications involving observation or inspection. Standard gasket is NC757 Cork/Buna, with other gasket material available.

Give us the specs and we'll design a custom dome for your application.



Part No.	Size	Wt.	A	B	Material
0836-03-6000	6"	6.0	6"	2 1/2"	Aluminum
0836-03-8000	8"	8.0	8"	2 1/2"	Aluminum
0836-07-6000	6"	9.5	6"	2 1/2"	304SST*
0836-07-8000	8"	12.0	8"	2 1/2"	304SST*
0836-09-6000	6"	9.5	6"	2 1/2"	Mild Steel
0836-09-8000	8"	12.0	8"	2 1/2"	Mild Steel



836

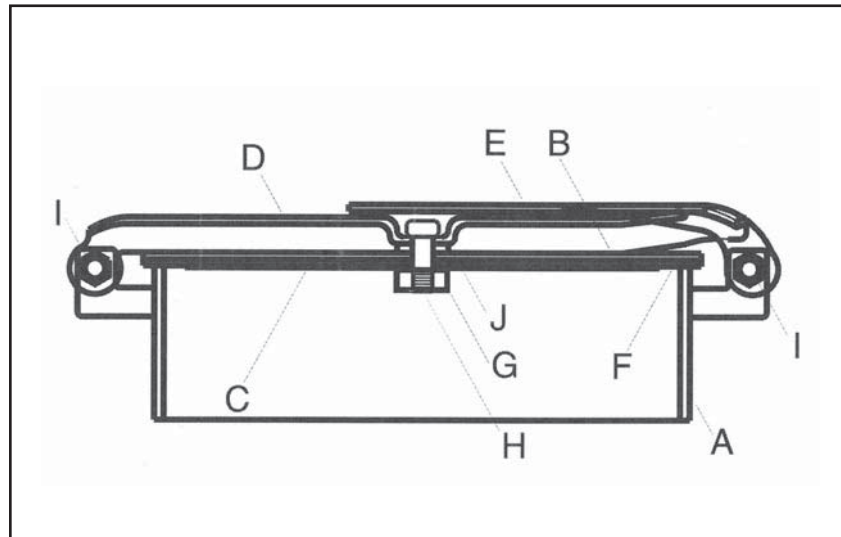
* Parts in contact are 304 SS; all other parts are MS plated.

6401 E. 40th St. Kansas City, Missouri 64129
2-03


A CENTURY'S WORTH OF INNOVATION
Clay and Bailey Mfg. Co.

1-816-924-3900 1-800-821-6583 FAX: 1-816-924-3903
www.claybailey.com email: CandBmfg@claybailey.com

HATCHES



836 Parts Listing

Part Number	Size	Description	Material	Qty.
A 0945-09-6001 0945-09-8001	6" 8"	Collar	Mild Steel	1
B 0836-09-6002 0836-09-8002	6" 8"	Plug Only	Mild Steel	1
C 0836-09-6006 0836-09-8006	6" 8"	Retainer	Mild Steel	1
D 0945-09-8003		Hinge	Mild Steel	1
E 0945-09-8004		Cam	Mild Steel	1
F 0945-05-6006 0945-05-8012	6" 8"	Gasket	NC757	1
G 1607-17-1618	3/8"	Hex Nut	Mild Steel Plated	1
H 2097-09-1616 2097-17-1607	3/8x1 1/2" 3/8"	Hex Bolt Washer	Mild Steel Plated Mild Steel Plated	1 1
I 2097-17-1624 1607-17-1618	3/8"x4 1/2" 3/8"	Hex Bolt Hex Nut	Mild Steel Plated Mild Steel Plated	2 2
J 0836-09-0110		Spacer	Mild Steel	1