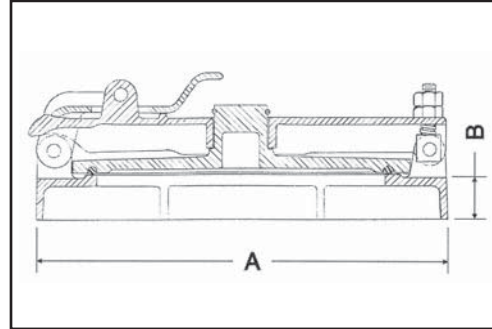


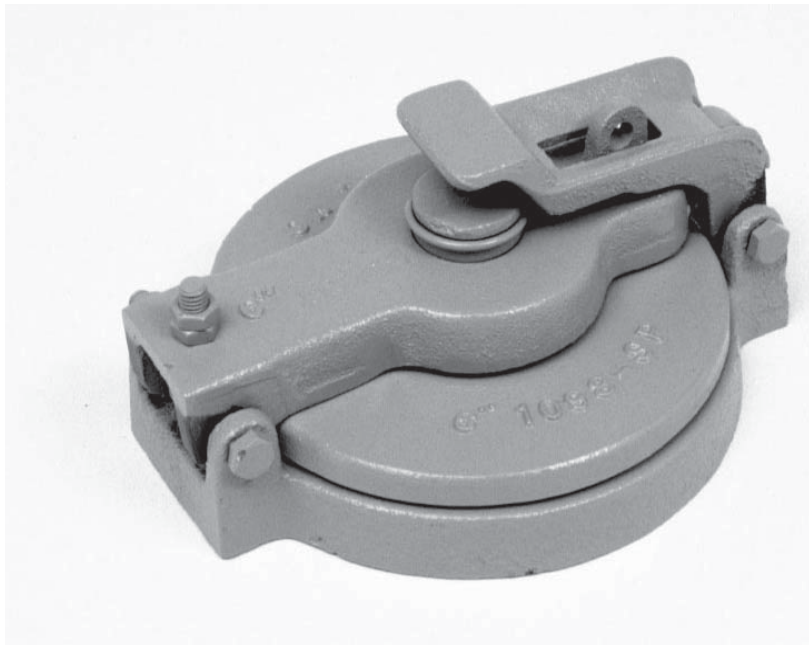
HATCHES

Features

Heavy duty weld-on dome used as an inspection hatch or quick opening fill. Lockable, low profile with "O"- Ring for sealing. Suitable for use on non-specification tanks.

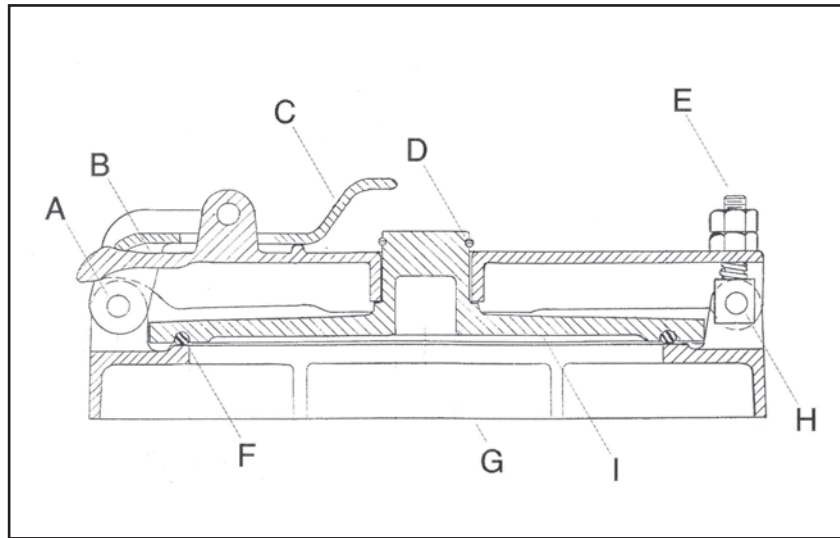


Part No.	Size	Wt.	A	B	Material
1098-06-6000	6"	9.0	9 1/8"	3"	Cast Iron, Cast Steel
1098-03-6000	6"	6.0	9 1/8"	3"	Aluminum
1098-06-8000	8"	12.0	11 1/8"	2 3/4"	Cast Iron, Cast Steel



1098SP

HATCHES



1098SP Parts Listing

Part Number	Size	Description	Material	Qty.
A 1097-17-8811	3/8"	3/8" x 3 1/4" HHCS	Mild Steel Plated	1
1607-17-1618	3/8"	HHCS	Mild Steel Plated	1
B 1097-01-6003	6"	Hinge	Cast Iron	1
1097-01-8003	8"			
C 1097-01-6004	6", 8"	Cam	Cast Iron	1
D 0997-17-8006		Spring Retainer	Mild Steel	1
E 1097-17-8805		Tension Adjustment Bolt	Mild Steel Plated	1
1097-17-8809	3/8"	Jam Nut	Mild Steel Plated	1
1607-17-1618	3/8"	HHCS	Mild Steel Plated	1
1097-17-8808		Tension Spring	Mild Steel Plated	1
F 1098-05-6212	6"	"O" Ring	Silicone	1
1098-05-8112	8"		Buna Nitrile	
G 1097-06-6201	6"	Collar	Cast Steel	1
1097-06-8201	8"			
H 1097-17-8811	3/8"	3/8" x 3 1/4" HHCS	Mild Steel Plated	1
1607-17-1618	3/8"	HHCS	Mild Steel Plated	1
J 1098-01-6002	6"	Plug	Cast Iron	1
1098-01-8002	8"			