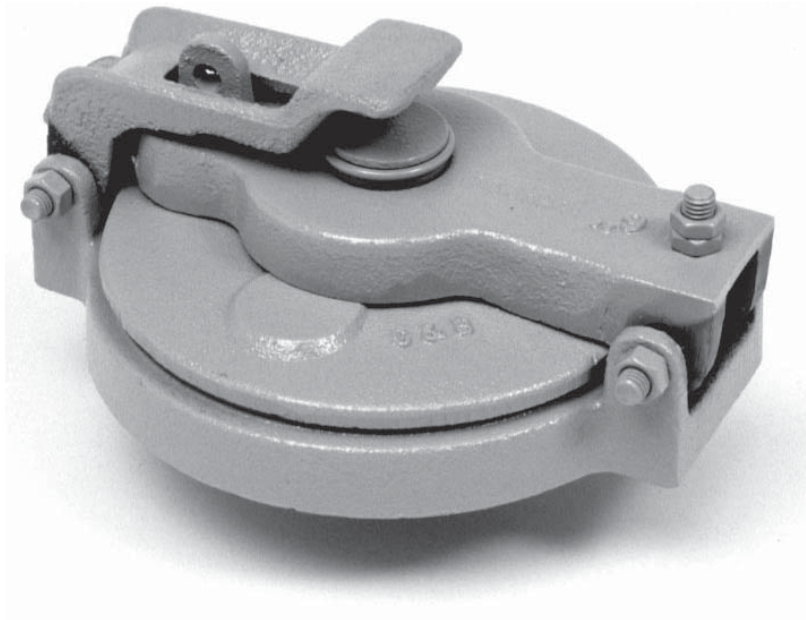
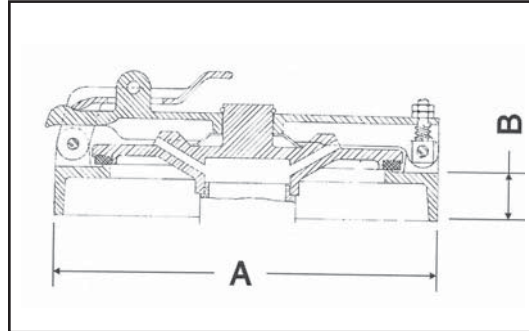


HATCHES

Features

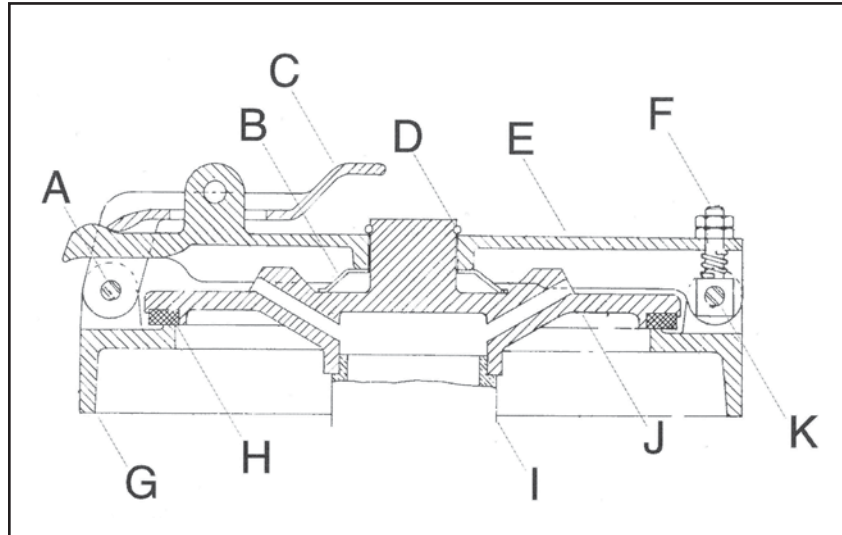
Weld-on type dome that is lockable. Standard with the #37-2" PV vent and NC757 gasket. Ideal for non-specification tanks requiring venting and 6" or 8" clear opening. The weld-on collar is made of cast steel, the remaining parts in cast iron.

Part No.	Size	Wt.	A	B	Material
1097-06-6200	6"	11.0	9 1/8"	3"	Cast Steel
1097-06-8200	8"	14.0	11 1/8"	2 3/4"	Cast Steel & Cast Iron



1097-612

HATCHES



1097-612 Parts Listing

Part Number	Size	Description	Material	Qty.
A 1097-17-8811	3/8"	3/8" x 3 1/4" HHCS	Mild Steel Plated	1
1607-17-1618	3/8"	HHCS	Mild Steel Plated	1
B 0887-17-1007		Spider Spring	Mild Steel Plated	1
C 1097-01-6004	6",8"	Cam	Cast Iron	1
D 0997-17-8006		Spring Retainer	Mild Steel	1
E 1097-01-6003	6"	Hinge	Cast Iron	1
1097-01-8003	8"			
F 1097-17-8805		Tension Adjustment Bolt	Mild Steel Plated	1
1097-17-8809	3/8"	Jam Nut	Mild Steel Plated	1
1607-17-1618	3/8"	HHCS	Mild Steel Plated	1
1097-17-8808		Tension Spring	Mild Steel Plated	1
G 1097-06-6201	6"	Collar	Cast Steel	1
1097-06-8201	8"			
H 0337-05-6012	6"	Plug Gasket	NC757	1
0337-05-8212	8"		Buna Nitrile	
I 0037-03-2000	2"	#37 PV Vent	Aluminum	1
J 0997-01-6002	6"	Plug	Cast Iron	1
0997-01-8002	8"			
K 1097-17-8811	3/8"	3/8" x 3 1/4" HHCS	Mild Steel Plated	1
1607-17-1618	3/8"	HHCS	Mild Steel Plated	1