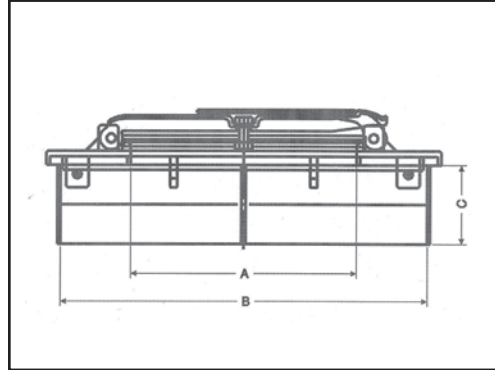


MANHOLES

Features

Oval manhole with full 10" fill opening. Ideal for non-specification trailers. Standard with #937 vent, which provides 37,500 SCFH at 5 psig, and a #353 fuse plug, which provides an additional 51,500 SCFH. Standard gasket material for fill opening and cover is Buna N, Cast Aluminum cover with plated steel hinge, cam and plug assembly, provide a rugged yet light weight manhole.



Part No.	Size	Material	Wt.
0887-03-5410	12"x16"	Aluminum	20.0

Size	A	B	C
12" x 16"	10"	11.75x16.25"	3.5"



887-L-541

REPAIR PARTS

887-L-541 Repair Parts

Item	Part Number	Description	Material
A	2097-05-1011	Gasket-New Style-2 Holes	Buna N
B	2097-17-1603	Hinge	Mild Steel Plated
C	2097-17-1604	Cam	Mild Steel Plated
D	2097-17-1605	Spacer	Mild Steel Plated
E	353-02-2000	2" Fuse Plug	Brass
F	887-05-1013	2" Gasket for Fuse Plug	Buna N
G	937-03-2000	2" Vent	Zinc/Aluminum
I	2097-17-1612	Plug - 2 Holes	Mild Steel Plated
J	2097-17-1618	Retainer - 2 Holes	Mild Steel Plated
K	887-03-1070	Cover - Oval	Aluminum
L	2097-17-1610	2" Conduit Lock Nut	Mild Steel Plated
M	887-17-8010	Hinge Pin	C.R. Steel Plated
N	887-17-8020	Cam Pin	C.R. Steel Plated
O	887-17-0375	Cap	Mild Steel Plated
P	887-05-1122	Oval Cover Gasket	Buna N

Hold Down Parts - See 887 Parts

