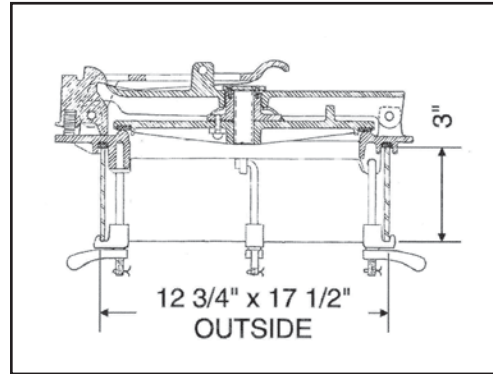


Features

Elliptical manhole designed for non-specification trailers. Manhole has 12" x 16" opening with 10" fill opening in center. Non-sparking hinge and cam system is lockable. Options available are multiple venting/fuse plug arrangements and various gasket materials.

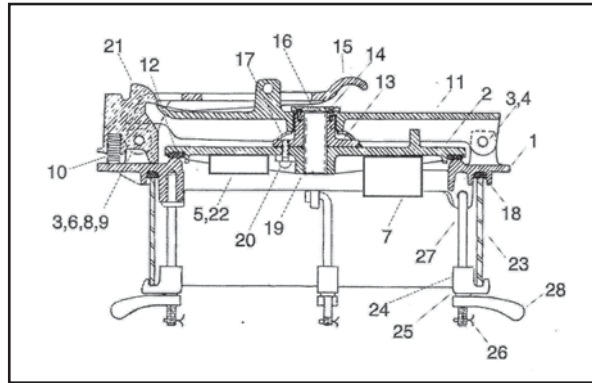


Part No.	Size	Material	Wt.
0887-01-1050	12"x16"	Cast Iron, 1 vent - 1 fuse plug	40.0
0887-01-1052	12"x16"	Cast Iron 2 vent - 1 fuse plug	40.0
0887-03-1050	12"x16"	Aluminum 1 vent - 1 fuse plug	26.0
0887-03-1052	12"x16"	Aluminum 2 vent - 1 fuse plug	26.0



887

MANHOLES



887 Parts Listing

Part Number	Size	Description	Material	Qty.
1	12"x16"	Cover, Crosswise	Cast Iron	1
0887-03-1001	12"x16"	Cover, Crosswise	Aluminum	
2	8"	Plug for 1 vent and 1 fuse plug	Cast Iron	1
0887-01-1059	8"	Plug for 2 vents and 1 fuse plug	Cast Iron	
0887-01-1062	8"	Plug with 1 vent and 1 fuse plug inst.	Cast Iron	
0887-01-1063	8"	Plug with 2 vents and 1 fuse plug inst.	Cast Iron	
3	3/8"	Hex Nut	Mild Steel Plated	2
4	3/8"	Bolt, Hinge	Mild Steel Plated	1
5	2"	Fuse Plug with gasket (22) FX	Brass, Buna-N	1
6	3/8"	Bolt, Cam	Mild Steel Plated	1
7	2"	PV Vent	Aluminum	1
8		Cam spring screw	Mild Steel Plated	1
9		Spring, Cam	Mild Steel	1
10		Spring, Catch	Mild Steel	1
11		Hinge	Aluminum	1
12		Gasket, Plug	NC757	1
0887-05-1011		Gasket, Plug FX	Buna-N	
13		Adjusting Bushing	Cast Iron Plated	1
14		Cap Screw	Mild Steel Plated	2
15		Cam	Brass	1
16		Hinge Retainer Cap	Mild Steel Plated	1
17		Spider Spring	Mild Steel Plated	1
18		Gasket, Cover	NC757	1
0887-05-1122		Gasket, Cover	Buna-N	
19		Adjustment Stem	Mild Steel	1
20		Bushing Lock Screw	Brass	1
21		Hinge Catch	Brass	1
22	2"	Fuse Plug Gasket	Buna-N	1
23		Collar	Aluminum	1
0887-09-1026		Collar	Mild Steel	
24		Hook, Clamp	Brass	1
25		Lock Washer	Mild Steel Plated	6
26		Cotter Pin	Mild Steel Plated	6
27		Ell Bolt	Mild Steel Plated	6
28		Wing Nut	Brass	6

0887-17-1030

Complete Hold-Down Set (Not Shown)

NOTE - 888 Obround manhole repair parts are the same as above except for cover.