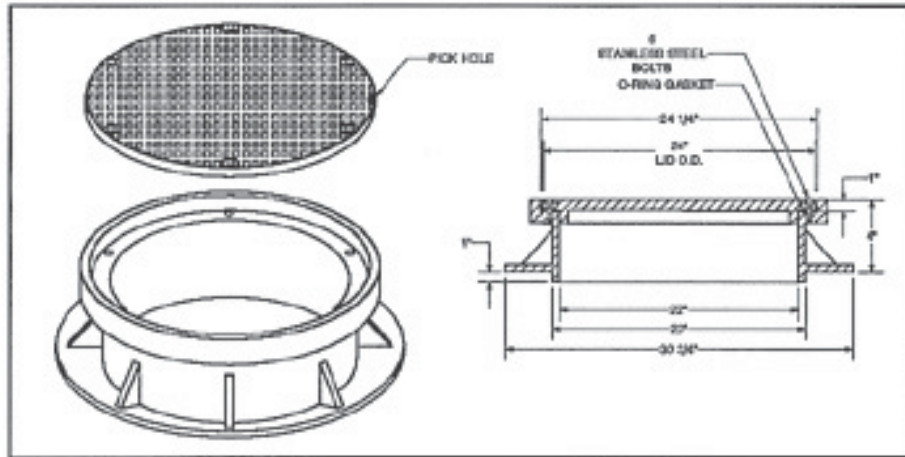


More Products  
Turn the Page▶

## Service Station Medium Duty Grade Manholes Cast Iron



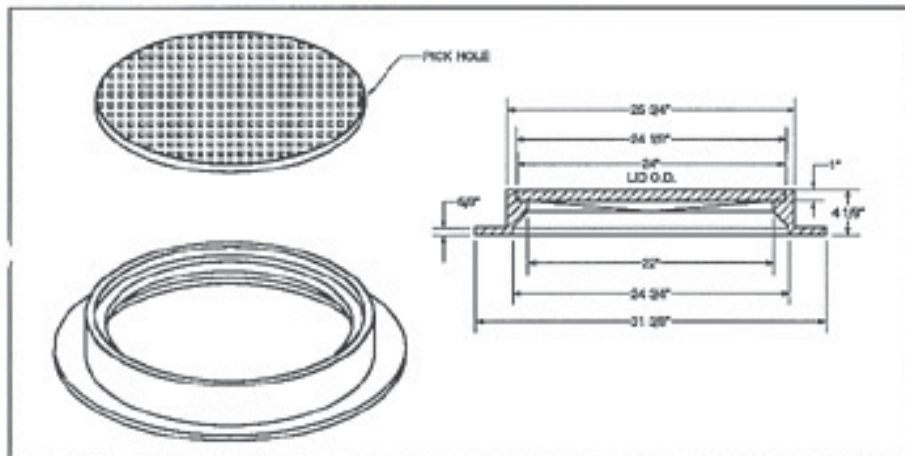
**Part # 2037**  
**Description:**

22" Clear opening Ring & Lid

**Standard Features:**

Bolt down lid.  
Machined horizontal Bearing  
surface. Buna-N O-ring.

**Weight:** Ring 130 lbs  
Lid 116 lbs



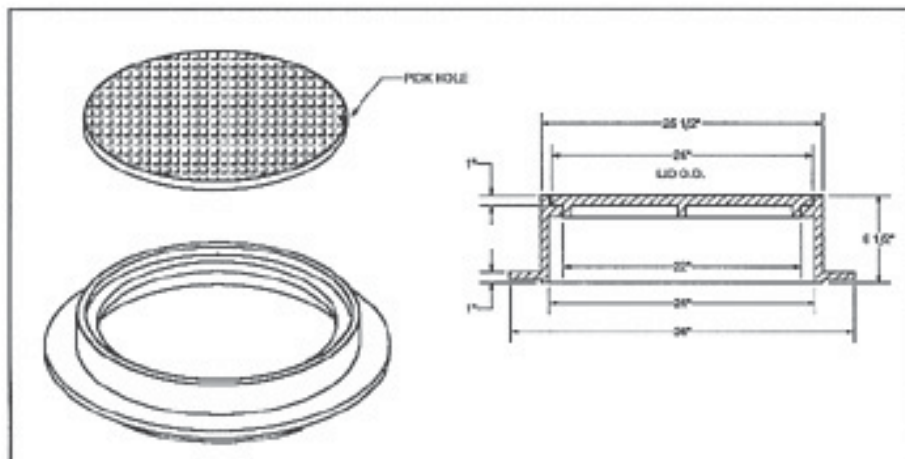
**Part # 2035**  
**Description:**

22" Clear opening Ring & Lid

**Standard Features:**

Non-skid surface.  
Machined horizontal Bearing  
surface.

**Weight:** Ring 130 lbs  
Lid 88 lbs



**Part # 2033**  
**Description:**

22" Clear opening Ring & Lid

**Standard Features:**

Non-skid surface.  
Machined horizontal Bearing  
surface.

**Weight:** Ring 255 lbs  
Lid 140 lbs

Recommended for off-traffic sites.