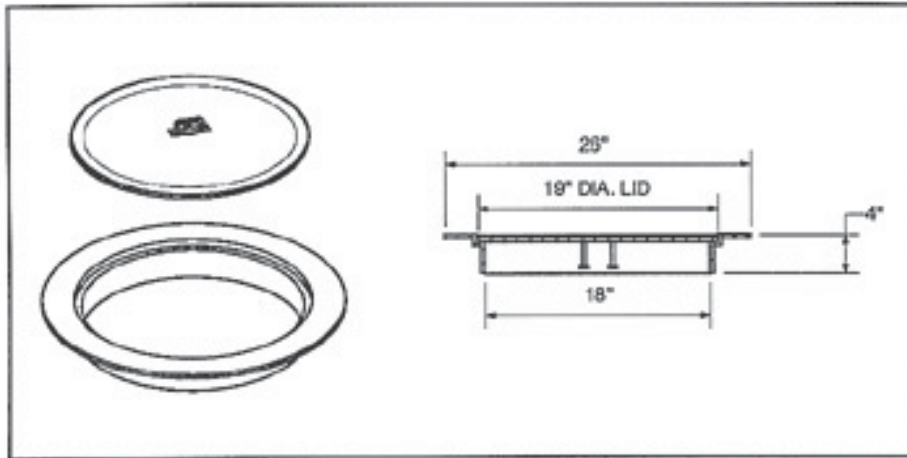


More Products
Turn the Page ▶

Service Station Light Duty Grade Manholes Cast Iron



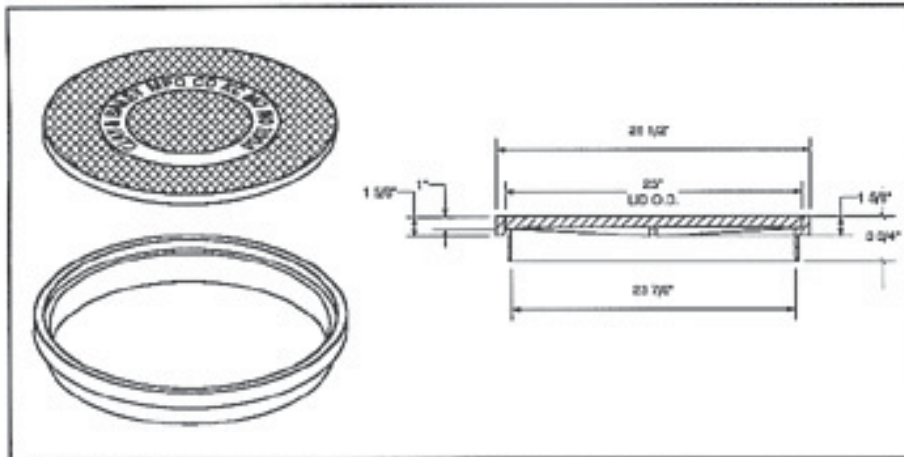
Part # 2211
Description:

18" Clear opening Ring & Lid

Standard Features:

Handle for easy access.

Weight: Ring 60 lbs
Lid 25 lbs



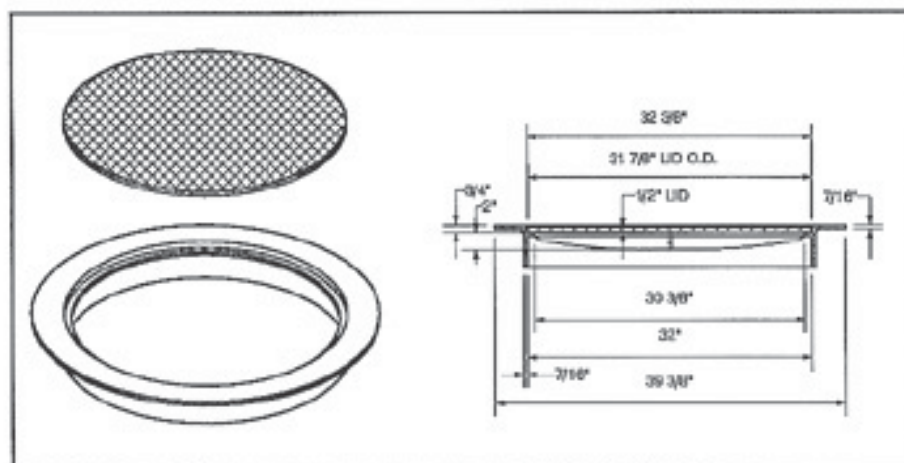
Part # 2004
Description:

24" Clear opening Ring & Lid

Standard Features:

Non-skid surface.

Weight: Ring 55 lbs
Lid 75 lbs



Part # 2218
Description:

32" Clear opening Ring & Lid

Standard Features:

Non-skid surface.

Weight: Ring 117 lbs
Lid 112 lbs

Recommended for off-traffic sites.