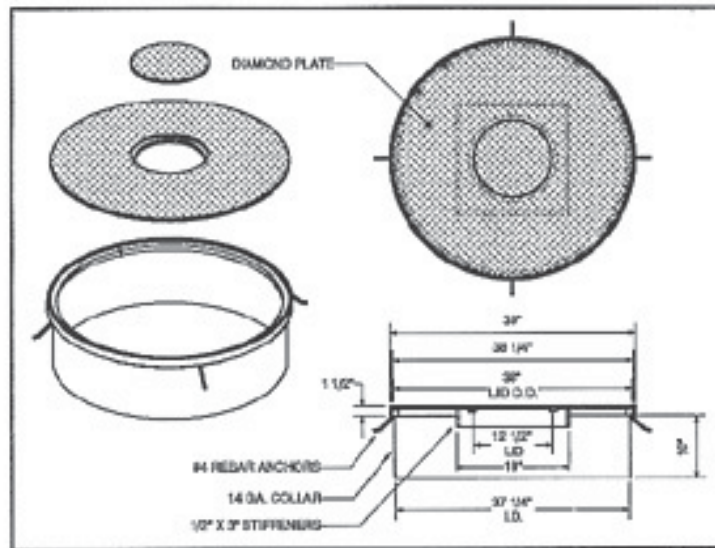


More Products
Turn the Page▶

Service Station Fabricated Mild Steel Heavy Duty



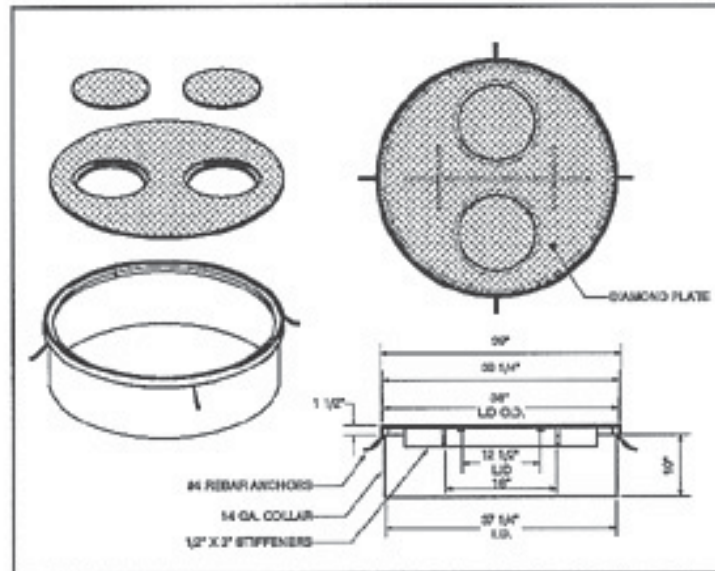
Part # 2094

Description: Mild Steel Manway
Standard Features:

3/8" Reinforced Diamond Plate Cover
14 Ga. Mild Steel Collar
(4) #4 Rebar anchor rods

Sizes Available:

18"	2094-09-1800
30"	2094-09-3000
36"	2094-09-3600



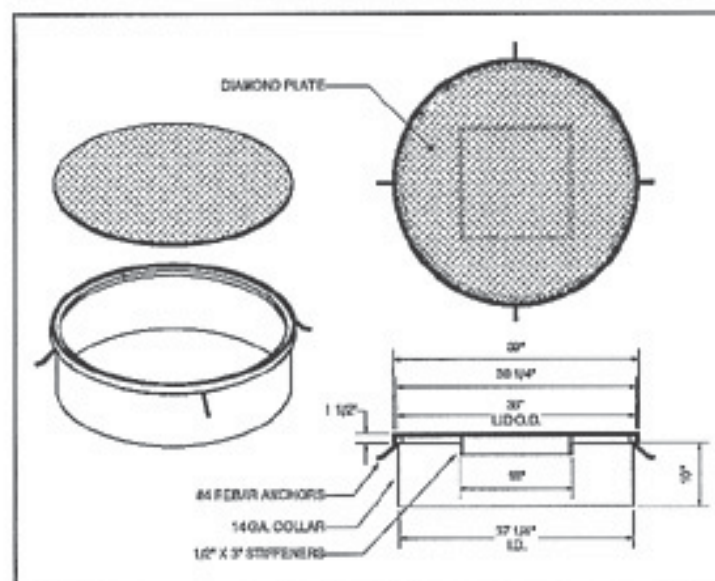
Part # 2094

Description: Mild Steel Manway
Standard Features:

3/8" Reinforced Diamond Plate Cover
14 Ga. Mild Steel Collar
(4) #4 Rebar anchor rods

Sizes Available:

18"	2094-09-1801
30"	2094-09-3001
36"	2094-09-3601



Part # 2094

Description: Mild Steel Manway
Standard Features:

3/8" Reinforced Diamond Plate Cover
14 Ga. Mild Steel Collar
(4) #4 Rebar anchor rods

Sizes Available:

18"	2094-09-1802
30"	2094-09-3002
36"	2094-09-3602

Optional Features

*Locking Bolts
*Recessed Handle

*Various collar heights
*Gaskets for water resistant seal