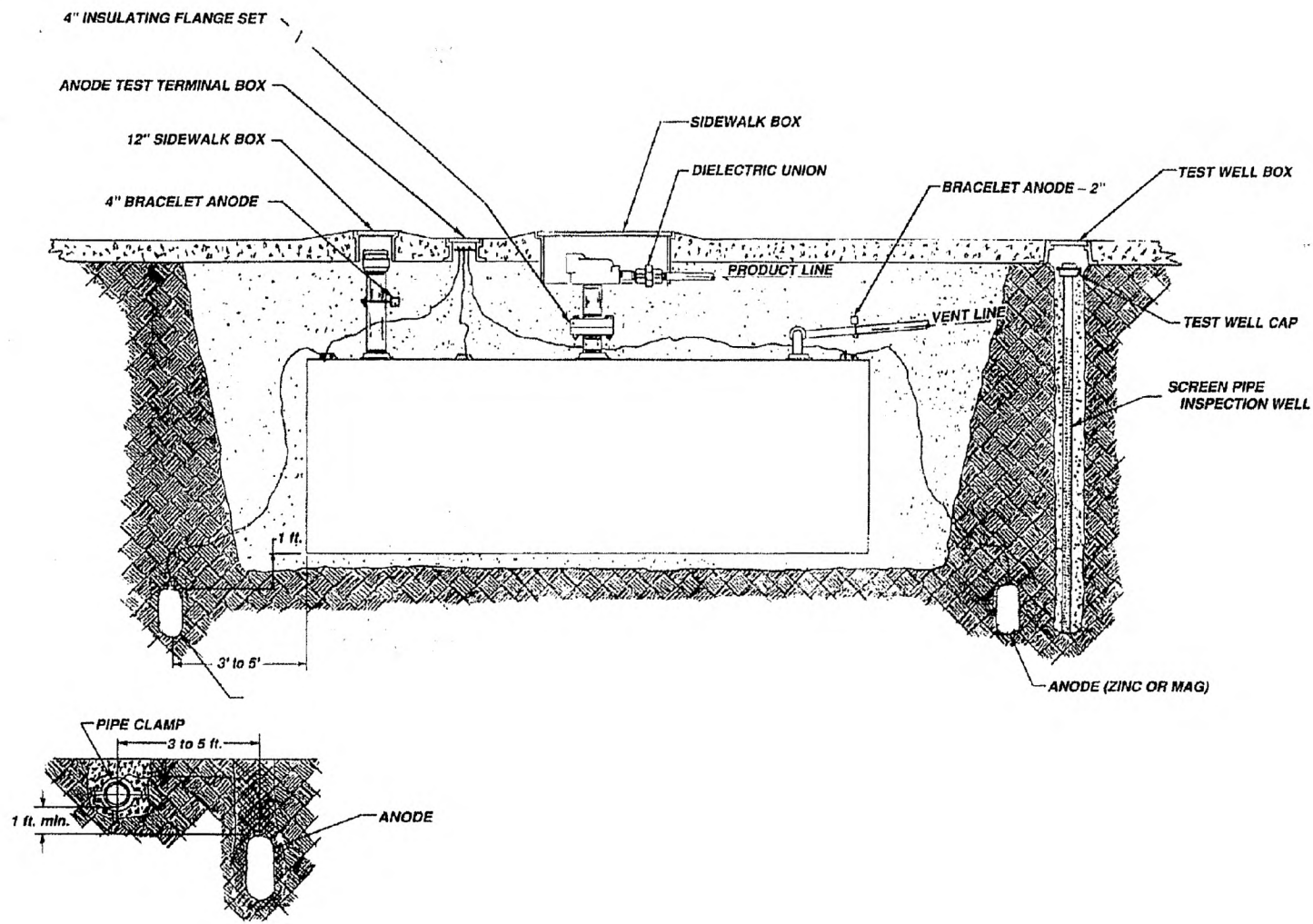
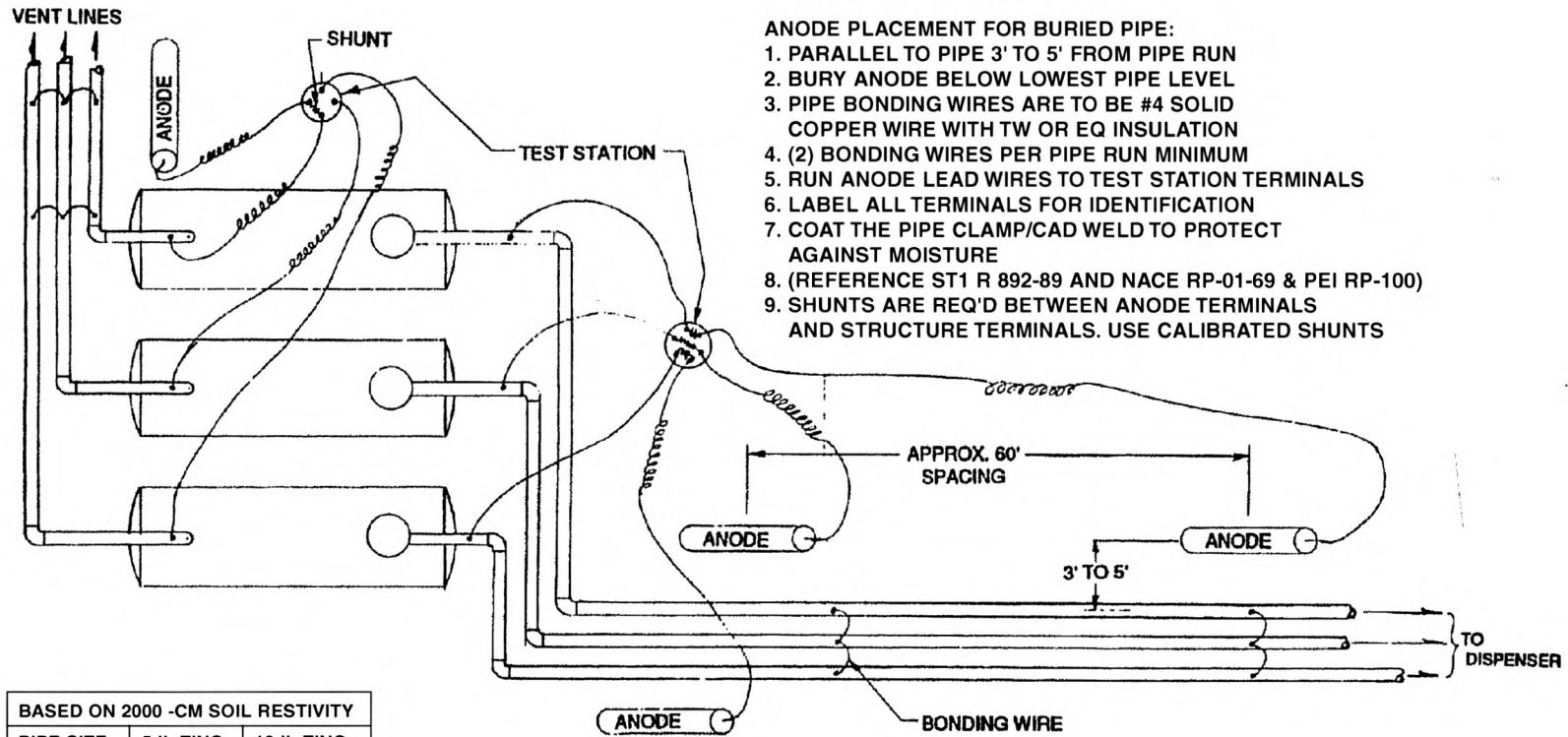


SUGGESTED INSTALLATION TANK



SUGGESTED INSTALLATION PIPE



BASED ON 2000 -CM SOIL RESTIVITY

PIPE SIZE	5 lb ZINC	10 lb ZINC
1" BARE	50'	100'
2" BARE	30'	60'
1" COATED	206'	410'
2" COATED	120'	240'