

# OVERFILL PREVENTION VALVES

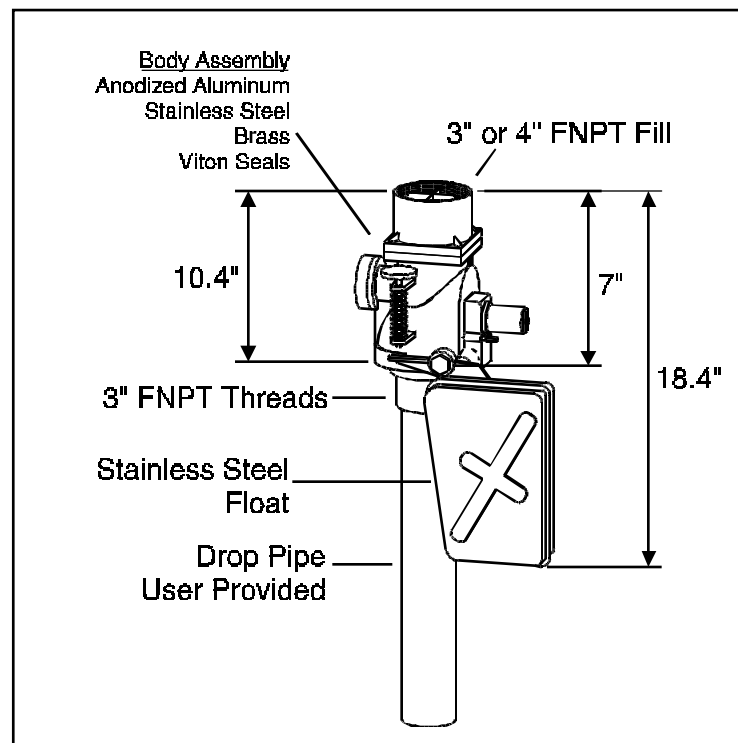
## Features

Designed for large ASTs where high GPM flow rate is required. The Solo has a flow rate of over 300+ gpm at 40psi. A unique feature of the Solo is a 2 stage shut-off of fuel. The first shut-off point is set at the required capacity and the second stage shut-off point allows the delivery hose to be drained. The Solo installs thru a manhole cover, and can be adjusted for various shut-off capacities. For special chemical applications, consult the factory for availability and compatibility.

Part No.	Size	Wt.lbs
01228-01-2001	3"	15.0
01228-01-2000	4"	17.0

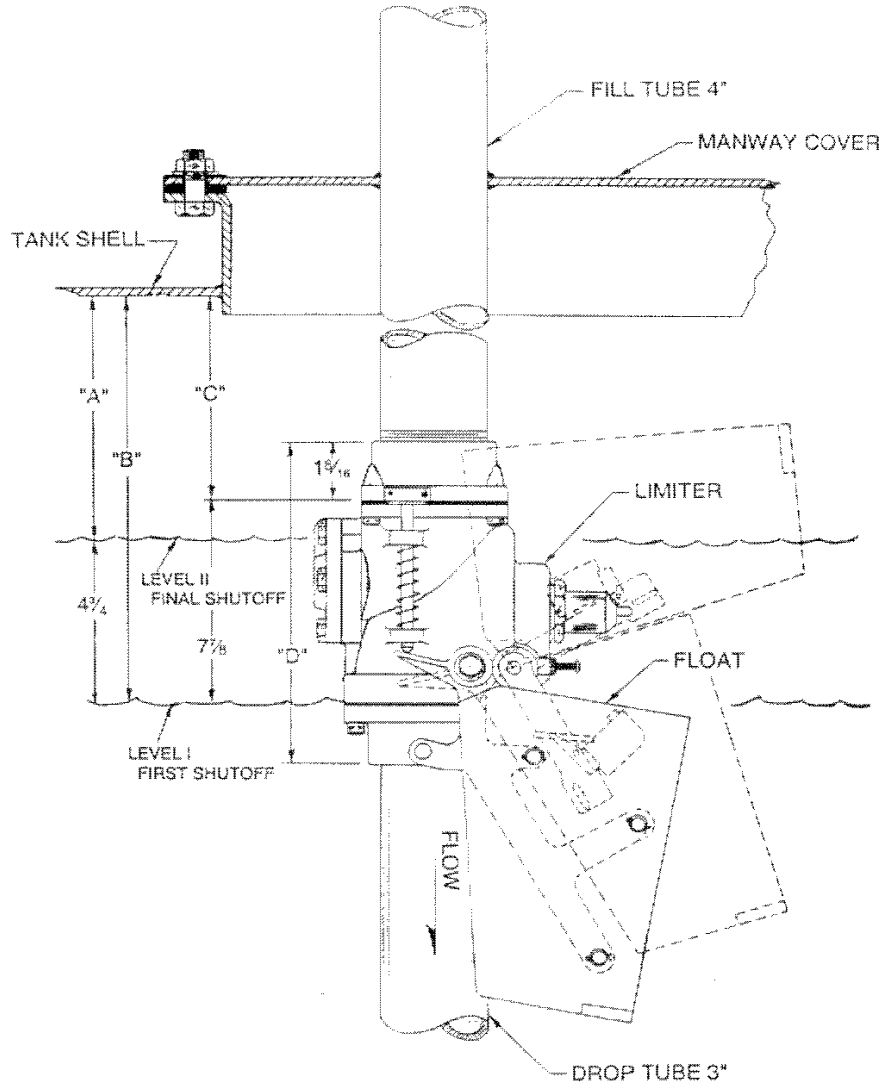


**#1228 Solo**



# OVERFILL PREVENTION VALVES

## Installation



### DIMENSIONS

	TANK DIAMETER							
	64	72	84	96	108	120	126	132
A	1 3/4	1 1/4	3 1/4	5 1/4	5 1/4	11 1/4	11 1/4	7 1/4
B	6 1/2	6	8	10	10	16	16	12
C			1/8	2 1/8	2 1/8	8 1/8	8 1/8	4 1/8
D	10 1/4	10 1/4	10 1/4	10 1/4	10 1/4	10 1/4	10 1/4	10 1/4
95%	57 1/2	66	76	86	98	104	110	120

