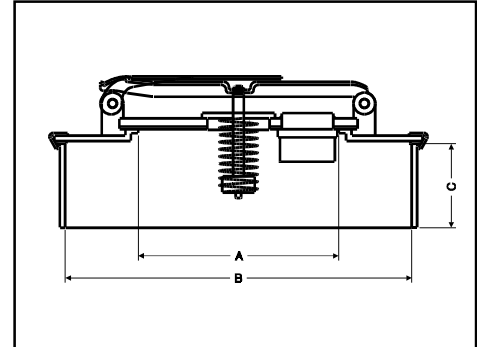


## Features

Sturdy manhole suitable for MC306 and non-specification applications. Provides pressure actuated venting through the 10" fill opening as required by DOT, NFPA 385 and 407. Normal vent is provided with the #37X. Emergency venting through the 10" fill opens at 3 psig and goes to full open at 5 psig. At 5 psig the 10" fill vents 240,000 SCFH. Standard gaskets are NC757 with other materials available.



Part No.	Size	Material	Wt.
0950-09-1600	16"	Mild Steel	35.0
0950-09-2000	20"	Mild Steel	45.0

Size	A	B	C
16"	10"	16"	3"
20"	10"	20"	3"



**950**